



**SR01-02MK3**  
HEADING AND ROT REPEATER  
New version with  
heading source identification

# DISPLAY YOUR SHIP'S HEADING AND RATE OF TURN IN ALL CONDITIONS

At Scandinavian Micro Systems we contribute to your safety at sea by developing and installing high-quality, precision navigation instruments for integration onboard your vessel ... and we've been doing it for over 40 years.

This is our 4th generation Digital Heading & ROT Repeater;  
now with **Heading Source Identification**

As the latest incarnation of the ScanRepeater™ range, this compact unit is known for its reliability, superior functionality and easy-to-read display in all conditions.

In fact, since the first LR22 & LR40 models, over 16000 have been installed worldwide.

## KEY FEATURES

- **SOLAS Compliant Heading & ROT Repeater**
- **Heading Display;** using super-bright LEDs that can be read from more than 10 meters away
- **Heading Source Identification;** shows the heading source as: GYR (gyrocompass), MAG (magnetic compass) or SAT (satellite compass)
- **Polar Mode Option;** by changing the internal DIP switches the unit will prioritize to display the Satellite Compass Heading
- **Analog Turning Indicator™ (ATI);** helps you quickly assess the ship's Rate of Turn and Turning Direction (this is our Trademark invention since 1976)
- **Numeric ROT Display;** two LED digits, inside the ATI ring shows the ship's Rate of Turn in degrees per minute
- **Remote Brilliance Control Unit;** Our SR01-06Mk2 Remote Brilliance Control is available
- **IPx6 for Bridge Wing Mounting;** the unit is "water tight and meets IEC 60945 IPx6 for mounting in exposed areas
- **Cradle or Console Mounting;** the unit is made for console mounting, but a cradle is included with each unit, as standard
- **Pig-tail Cable Connection;** a 3 meter cable with IP67 plug is included as standard



Back of unit w/ grounding "lug" & 3 metre Cable w/ IP67 Plug



Optional Remote Brilliance Control Unit



### SR01-02Mk3 Heading & ROT Repeater

## NEW FEATURE: HEADING SOURCE INDICATORS

The SR01-02Mk3 identifies and displays the Heading Source by lighting one of the three LEDs as show below



Heading Source is GYR (gyrocompass)



Heading Source is MAG (TRUE magnetic compass)

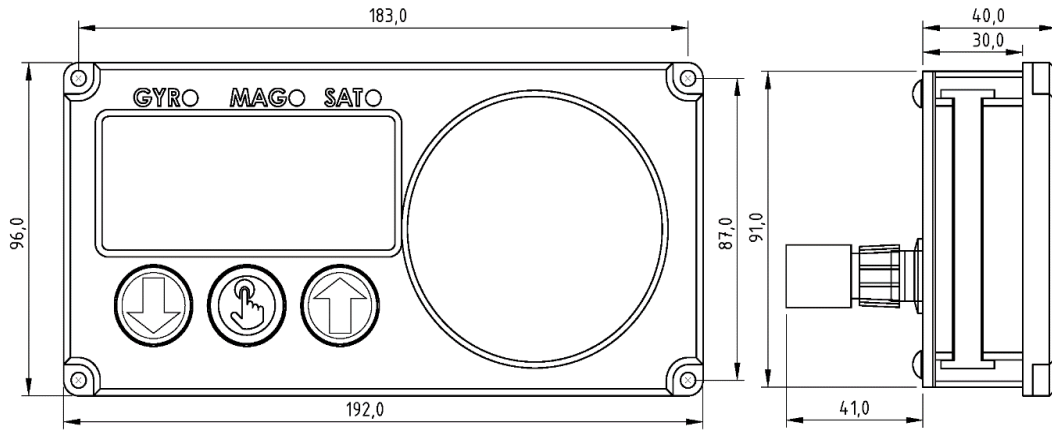


Heading Source is MAG (un-corrected magnetic compass)

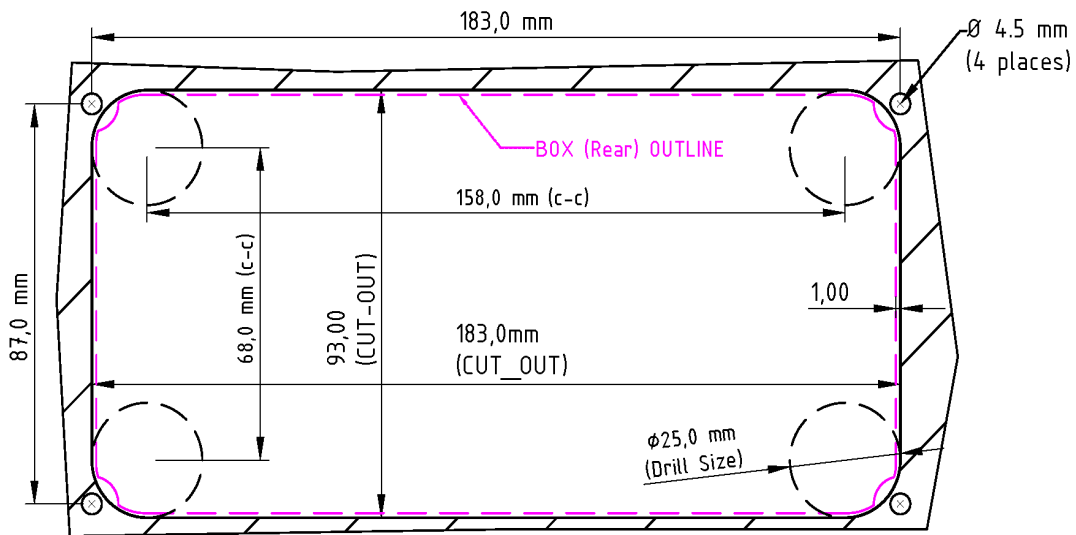


Heading Source is SAT (satellite compass)

# TECHNICAL SPECIFICATION



Main Dimensions



Panel Cut-Out Dimensions

**TYPE APPROVAL: DNV-GL Certificate No: TAA0002RY:** <https://approvalfinder.dnvgl.com/>

<b>SOLAS Compliant</b>	IMO Res. A.694(17)
<b>IEC 60945</b>	IEC 60945 (2002) incl. Corr.1 (2008)
<b>IEC62288</b>	Tested and approved according to IEC62288 (2014).
<b>IP Rating</b>	IPx6 (Approved for Bridge wings installations)
<b>Compass Safe distance</b>	10 cm
<b>NMEA Data IEC61162-1/-2</b>	Accepts NMEA Heading Data from Gyro Compasses, Satellite Compasses and Magnetic Compasses according to IEC61162-1 ed 5.0 and IEC61162-2 ed 1.0
<b>Proprietary Data</b>	Accepts Proprietary Protocols such as Course-Bus, PPLAN, PLLSR & RGC11
<b>Baud Rates</b>	Accepts: 4800, 9600, 19200, and 38400 b/sec. (Auto-Select) Max Update rate: 50 times per second (@38400)
<b>Mains Voltage</b>	24V DC, (+10%, -20%) / 0.3A
<b>Power</b>	SR01-02Mk3 require maximum 8 W at full Brilliance
<b>Temperature Range</b>	Operating: -25°C to +55°C (Storage: -25°C to +70°C)
<b>Material</b>	Aluminium Alloy: 6082 / Black Anodized 20 my / Cradle is Powder Coated Black
<b>Dimension and Weight</b>	192(w) x 96(h) x 40(d) mm; Net Weight: 1.0 kg
<b>Export Package</b>	255(w) x 145(h) x 100(d) mm; Gross Weight: 1.3kg (Volume: 3.7 dm <sup>3</sup> (litre))



[sales@scansys.no](mailto:sales@scansys.no)

SCANDINAVIAN MICRO SYSTEM INC  
USA: Phone: (+1) 954 583 5700

[www.scansys.no](http://www.scansys.no)

SCANDINAVIAN MICRO SYSTEM AS  
Norway: Phone (+47) 6681 2740

[support@scansys.no](mailto:support@scansys.no)

SCANDINAVIAN MICRO SYSTEM UK  
UK: Phone: (+44) 20 8550 6458