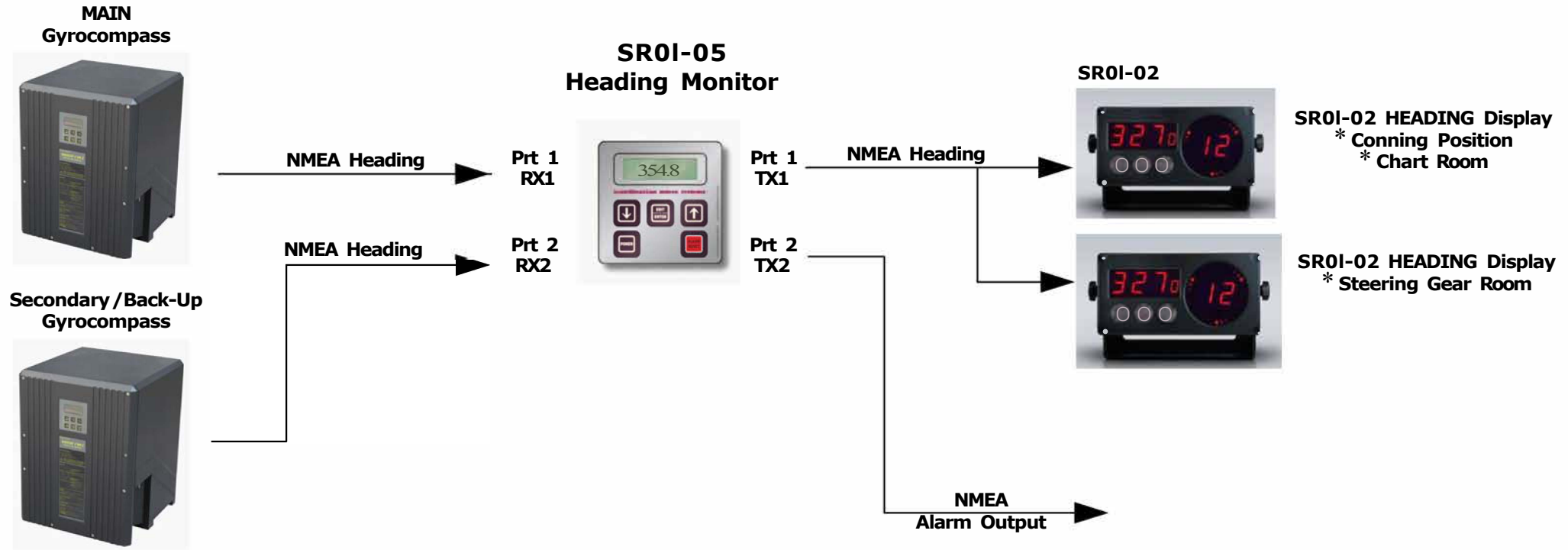


SR01-05 Heading Monitor Unit

SR01-05 Heading Monitor Unit compares two Digital Heading Data inputs and generates an alarm if the difference exceeds the configured limit. The Limit can be edited. The unit has one serial data output which always transmits the selected heading input.

SR01-05 Heading Monitor Unit has one Serial Data Alarm transmitting the NMEA ALR sentence intended for Centralized Alarm Monitoring system. SR01-05 Heading Monitor Unit can receive and transmit NMEA and various other proprietary formats.

SR01-05 can also be used as a heading protocol converter – or a heading selector unit.

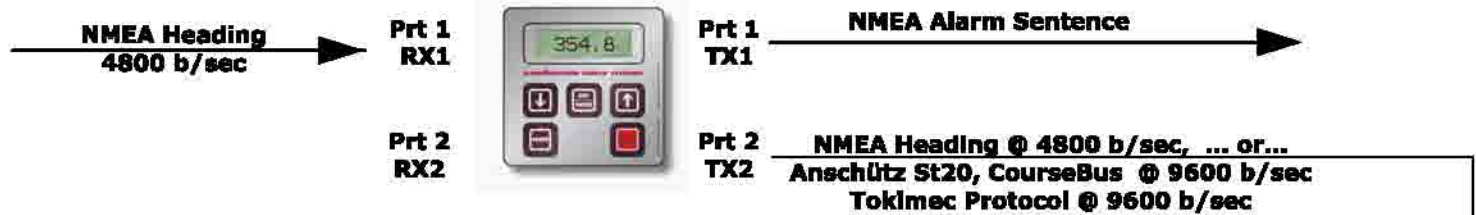


INDEX	CHANGE	CHANGED BY	Chng. DATE	APPROVED BY	Apr. DATE
THIS DRAWING, AND THE IDEAS AND THE DESIGN INCORPORATED HEREIN, IS THE PROPERTY OF SCANDINAVIAN MICRO SYSTEMS A/S, AND IS NOT TO BE USED IN WHOLE OR IN PART FOR ANY OTHER PROJECT OR SHEET IN A THIRD PARTY WITHOUT OUR WRITTEN AUTHORIZATION.		Scandinavian Micro Systems AS P.D.BDX 155, N-1411 KDLBDTN, NDRJAY			
USED ALSO IN - Description		Ref. Port No.			
1 - 1		1			
CREATED BY	APPROVED BY	RELEASED BY	SCALE	DRAWING NO.	PAGE
NAME: DS	NAME:	NAME:		SR01-05SS-D'v/01 p2	2 of 2
DATE: 08.04.2008	DATE:	DATE:			

**MAIN
Gyrocompass**



**SR01-05
as Protocol Converter**



10.2.1 The cable assay and signal description

The table below specifies the colour of the wire used for the different SR01-05 signals.

Table 3 Cable assay description.

SR01-05			
Signal types	Signal description	Cable Color	Pin ₍₁₎
Protective GND	Housing	-----	Housing
Power In	Power + 24 VDC	Black	1
Power In	Power 0 VDC	Black(White)	2
RS422	RxD1 - (RS422)	Brown	3
RS422	RxD1 + (RS422)	Brown(White)	4
RS422	RxD2 - (RS422)	Orange	7
RS422	RxD2 + (RS422)	Orange(White)	8
RS422	TxD1 - (RS422)	Red	5
RS422	TxD1 + (RS422)	Red(White)	6
RS422	TxD2 - (RS422)	Yellow	9
RS422	TxD2 + (RS422)	Yellow(Black)	10

Power supply	
Protective GND	<<<<
18 - 32 VDC	<<<<
0 VDC	<<<<

Heading 1 generator.	
TxD- RS422	<<<<
TxD+ RS422	<<<<

Heading 2 generator.	
TxD- RS422	<<<<
TxD+ RS422	<<<<

Centralize Alarm Monitoring receiver.	
RxD- RS422	>>>>
RxD+ RS422	>>>>

Heading receiver.	
RxD- RS422	>>>>
RxD+ RS422	>>>>

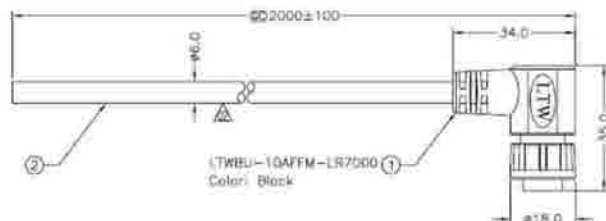


**HEADING Display
SR01-02**

**Radar
Autopilot
... etc...**

Comments:

1) The column "Pin" refers to the Receptacle Connector for SR01-05.



CHANGE		CHANGED BY:	Chng. DATE:	APPROVED BY:	Apr. DATE:
THIS DRAWING AND THE IDEAS AND THE DESIGN INCORPORATED HEREIN IS THE PROPERTY OF SCANDINAVIAN MICRO SYSTEMS A/S, AND IS NOT TO BE USED IN WHOLE OR IN PART FOR ANY OTHER PROJECT OR SHOWN TO A THIRD PARTY WITHOUT OUR WRITTEN AUTHORIZATION.					
USED ALSO IN - Description:		Ref Part No.			
CREATED BY:		APPROVED BY:		RELEASED BY:	
NAME: OS		NAME:		NAME:	
DATE: 24.04.2009		DATE:		DATE:	
SCALE:	DRAWING NO.			PAGE:	
	SR01-05SS-DW01 p3			3 of 3	

Scandinavian Micro Systems AS
P.O.BOX 155, N-1411 KOLBOTN, NORWAY

**HEADING MONITOR&Switch-Over Unit
SR01-05 as Protocol Converter**

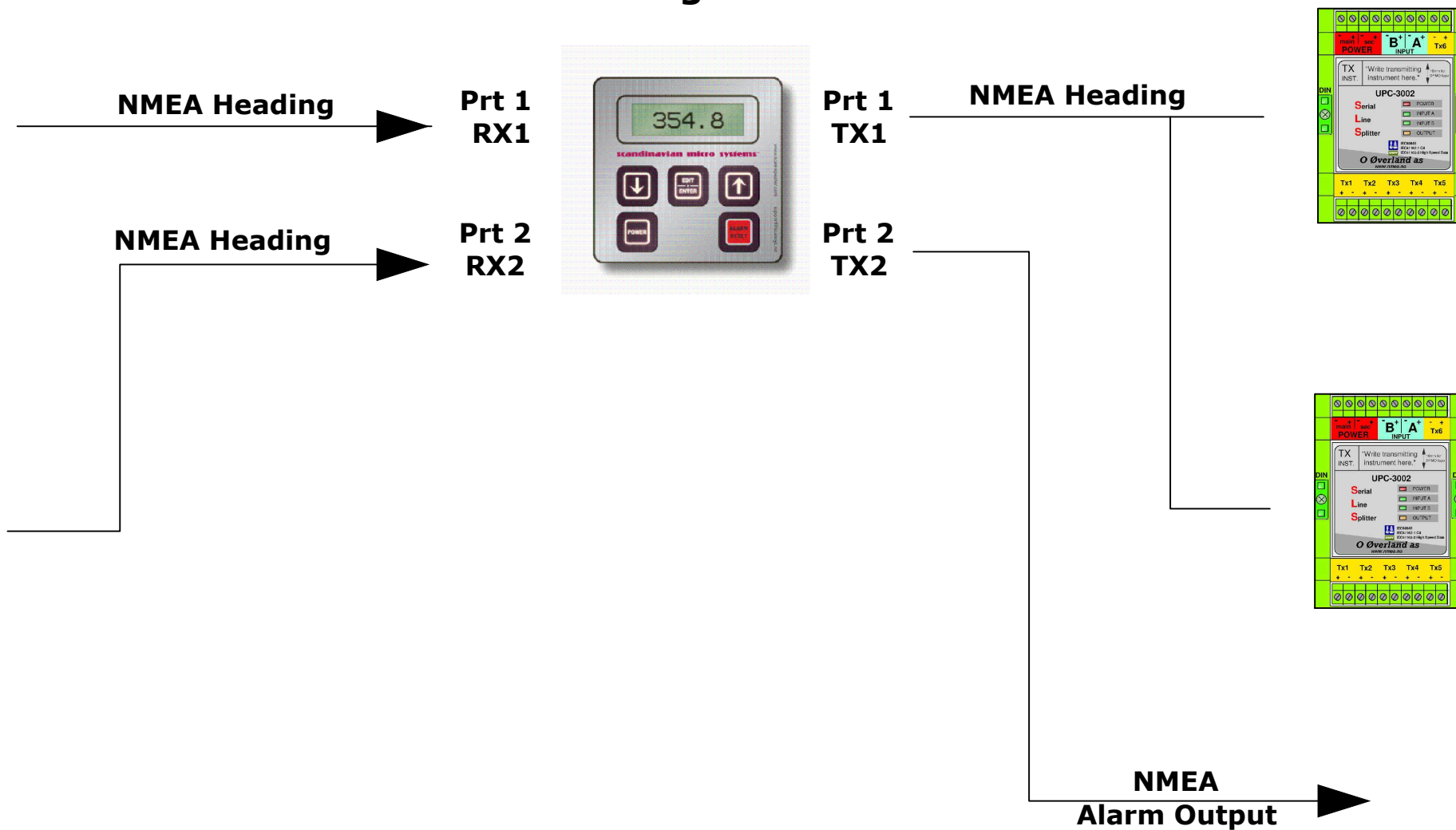
MAIN Gyrocompass



Secondary/Back-Up Gyrocompass



SR01-05 Heading Monitor



INX:	CHANGE:	CHANGED BY:	Chng. DATE:	APPROVED BY:	Apr. DATE:
THIS DRAWING, AND THE IDEAS AND THE DESIGN INCORPORATED HEREIN, IS THE PROPERTY OF SCANDINAVIAN MICRO SYSTEMS A/S, AND IS NOT TO BE USED IN WHOLE OR IN PART FOR ANY OTHER PROJECT OR SHOWN TO A THIRD PARTY WITHOUT OUR WRITTEN AUTHORIZATION.			Scandinavian Micro Systems AS P.O.BOX 155, N-1411 KOLBOTN, NORWAY		
USED ALSO IN - Description:		Ref Part No.			
CREATED BY:	APPROVED BY:	RELEASED BY:	SCALE:	DRAWING NO.	PAGE:
NAME: OS	NAME:	NAME:		SR01-05SS-DW01 p2	3 of 3
DATE: 08.04.2008	DATE:	DATE:			